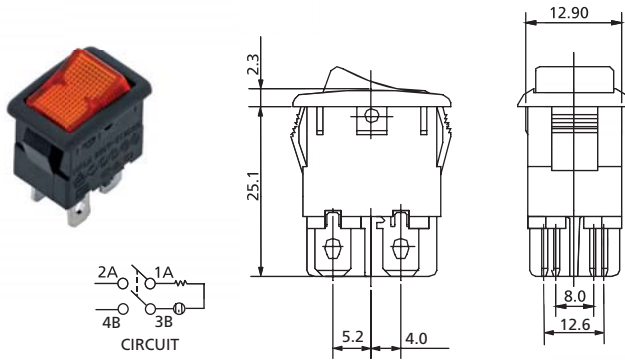


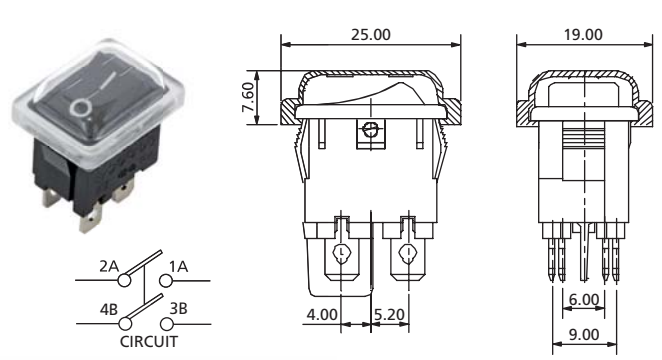
# Rocker Switches

## 21 x 15 mm Rocker Switches

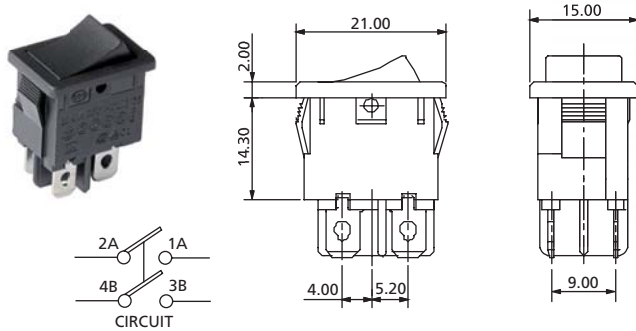
## RK2 Series



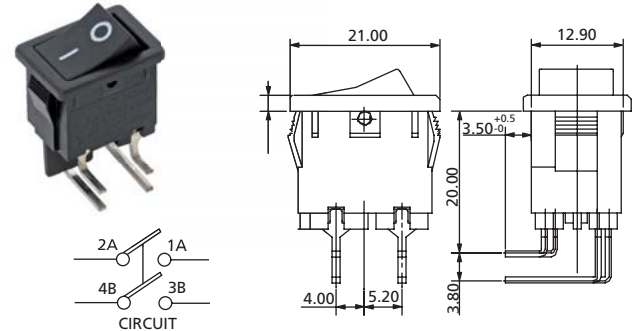
**RK2DL1Q4** \_\_\_N Soft Outlook; Cross Barrier



**RK2DN1Q4** \_\_\_W with Waterproof Cover



**RK2DN1QC4** \_\_\_N with Cross Barrier



**RK2DN1R4** \_\_\_N THT Terminals Right Angle

TERMINAL	ACTUATOR	ACTUATOR MARKING	PANEL SIZE												
<p><b>Q</b> 4.8mm TAB, 0.8mm Thick</p> <p><b>D</b> Solder Tag</p> <p><b>R</b> Thru Hole Right Angle</p> <p><b>H</b> Thru Hole Straight</p>	<p>4 Curve</p> <p><b>SIZE</b></p> <p>21</p> <p>15</p>	<p><b>A</b> </p> <p><b>B</b> OFF ON</p> <p><b>C</b> </p> <p><b>D</b> </p> <p><b>E</b> </p> <p><b>F</b> </p>	<p>PANEL CUT-OUT Snap-in mounting</p> <p></p> <table border="1"> <thead> <tr> <th>X (Panel thickness)</th> <th>Dimension Y</th> <th>Dimension Z</th> </tr> </thead> <tbody> <tr> <td>0.75 to 1.25 mm</td> <td>19.20 +0.1/-0 mm</td> <td>12.90 +0.15/-0 mm</td> </tr> <tr> <td>1.25 to 2 mm</td> <td>19.40 +0.1/-0 mm</td> <td>12.90 +0.15/-0 mm</td> </tr> <tr> <td>2 to 3 mm</td> <td>19.80 +0.1/-0 mm</td> <td>12.90 +0.15/-0 mm</td> </tr> </tbody> </table>	X (Panel thickness)	Dimension Y	Dimension Z	0.75 to 1.25 mm	19.20 +0.1/-0 mm	12.90 +0.15/-0 mm	1.25 to 2 mm	19.40 +0.1/-0 mm	12.90 +0.15/-0 mm	2 to 3 mm	19.80 +0.1/-0 mm	12.90 +0.15/-0 mm
X (Panel thickness)	Dimension Y	Dimension Z													
0.75 to 1.25 mm	19.20 +0.1/-0 mm	12.90 +0.15/-0 mm													
1.25 to 2 mm	19.40 +0.1/-0 mm	12.90 +0.15/-0 mm													
2 to 3 mm	19.80 +0.1/-0 mm	12.90 +0.15/-0 mm													

### How to order:

RK2

- |  |   |
|--|---|
| <p><b>1 POLES:</b><br/>S Single Pole (SP)<br/>D Double Poles (DP)</p> <p><b>2 ILLUMINATION:</b><br/>N No illuminated<br/>L Illuminated</p> <p><b>3 SWITCHING:</b><br/>1 ON - OFF</p> <p><b>4 TERMINAL (See above drawings):</b><br/>Q 4.8mm TAB, 0.8mm THICK<br/>QC 4.8mm TAB, 0.8mm THICK with Cross Barrier<br/>D Solder Tag<br/>R Thru Hole Right Angle<br/>H Thru Hole Straight</p> <p><b>5 ACTUATOR (See above drawings):</b><br/>4 Curve</p> | <p><b>6 ACTUATOR MARKING:</b><br/>A See above drawings<br/>B See above drawings<br/>C See above drawings<br/>D See above drawings<br/>E See above drawings<br/>F See above drawings</p> <p><b>7 BASE COLOR:</b><br/>A Black<br/>H Grey<br/>B White</p> <p><b>8 ACTUATOR COLOR:</b><br/>A Black H Grey B White<br/>F Green D Orange C Red<br/>E Yellow</p> <p><b>9 WATERPROOF COVER:</b><br/>N None Cover (Standard)<br/>W With Waterproof Cover</p> |
|--|---|

### General Specifications:

#### FEATURES

- » Single & double poles rocker switch up to 10(4)A 250VAC

#### MATERIALS

- » Movable Contact Arm: Phosphorus bronze
- » Contact: Silver alloy
- » Terminal: Silver plated copper

#### MECHANICAL

- » Temperature Range: -20°C to +125°C

#### ELECTRICAL

- » Electrical Life: 10,000 cycles
- » Rating: 12A125VAC, 10A250VAC 1/4HP  
10A125VAC, 8A250VAC 1/4HP  
10A250VAC  
10(4)A250V~T125/55
- » Initial Contact Resistance: 20mΩ max.
- » Insulation Resistance: 100MΩ min. at 500VDC