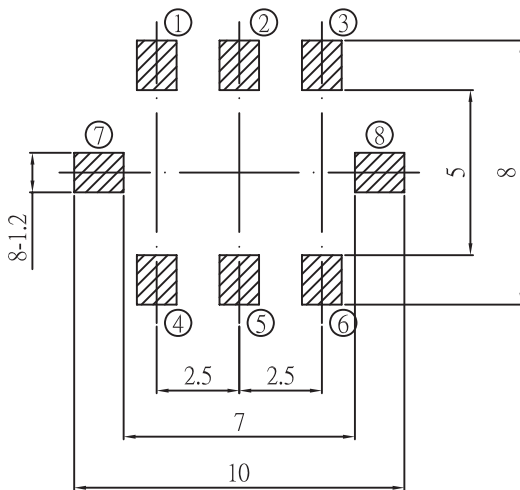
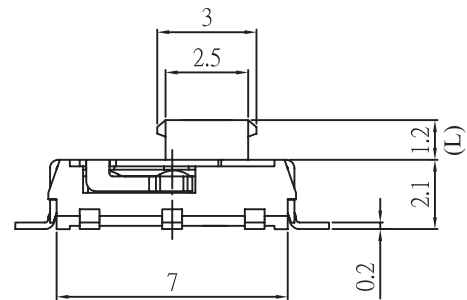
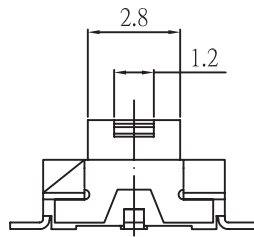
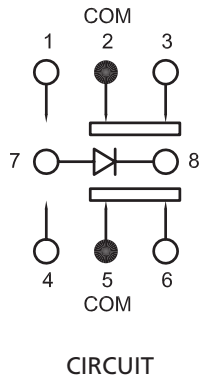
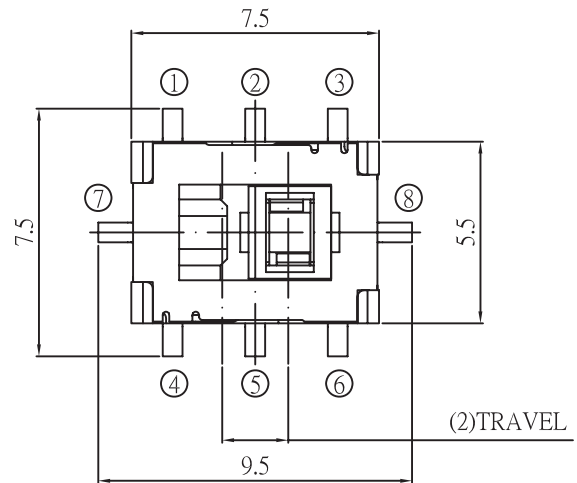


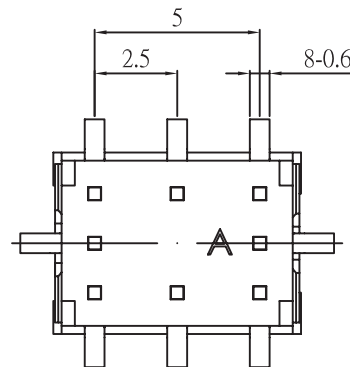
# Slide Switches

## SMT Slide Switches with LED Illumination

## SB54 Series



P.C.B. LAYOUT



DIMENSION	TOLERANCE
BELOW 10 mm	± 0.3
10-100 mm	± 0.5
ABOVE 100 mm	± 0.8
ANGLE	± 3°

### How to order:

SB54

- |                                     |                                       |  |  |
|-------------------------------------|---------------------------------------|--|--|
| <b>1</b> TERMINATION:<br>M SMT      | <b>4</b> TIMING:<br>N Non-Shorting    | <b>7</b> ACTUATOR TYPE:<br>S L = 1.2 mm (Standard)                     | <b>9</b> COLOR OF LED:<br>N Without LED<br>G Blue<br>F Green<br>C Red<br>B White<br>E Yellow |
| <b>2</b> POLE:<br>D 2 Poles         | <b>5</b> FRAME:<br>S Standard Type    | <b>8</b> BRIGHTNESS LED:<br>N Without LED<br>S Ultra Bright (Standard) |  |
| <b>3</b> POSITION:<br>2 2 Positions | <b>6</b> ACTUATOR MATERIAL:<br>6 PA6T |  |  |

### General Specifications:

- > Poles: 3P2T
- > Actuating: Slide Switch Momentary
- > Contact Rating: 0.3A 6VDC
- > Contact Resistance: 50 mohm Max.
- > Insulation Resistance: 100 Mohm Min. at 500VDC
- > Dielectric Strength: 500 VAC for 1 Minute
- > Operating Force: 200 gf
- > Operating Live: 10,000 Cycles
- > Operating Temperature: -20°C to +70°C
- > Total Travel: 2.0mm +/- 0.2mm