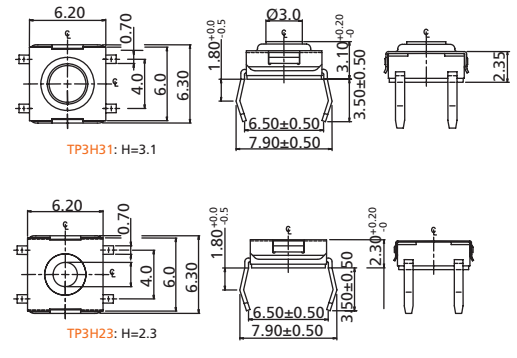
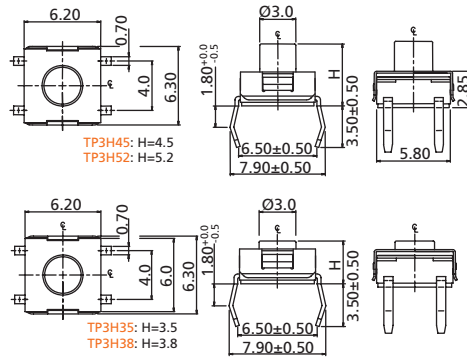
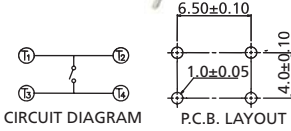


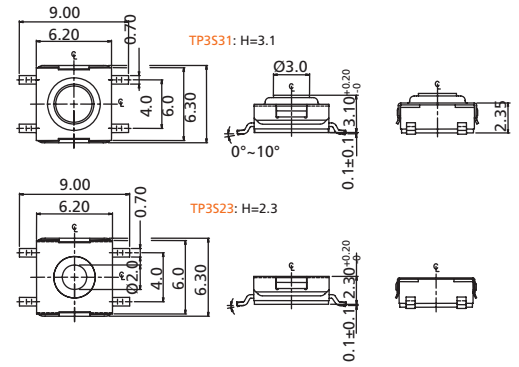
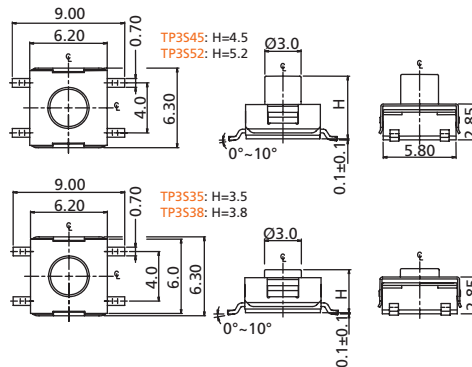
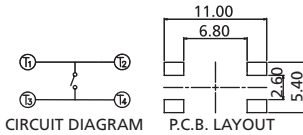
Tactile Switches

6 x 6 mm Washable Tactile Switches

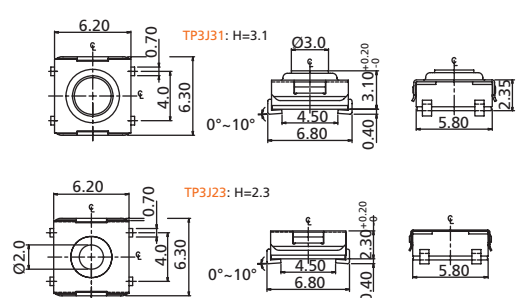
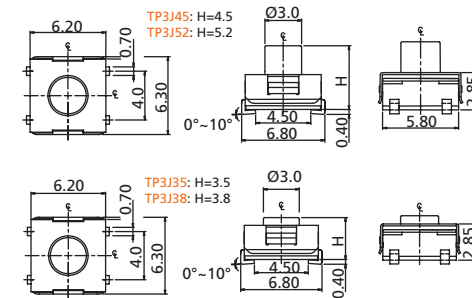
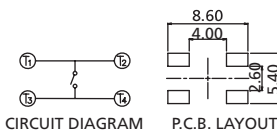
TP3 Series



TP3H THT Terminals



TP3S SMT Terminals



TP3J SMT J-Bending Terminals

How to order:

TP3

1 TYPE OF TERMINALS:

- H THT
- S SMT
- J SMT J-Bending

2 DIMENSION "H": Individual stem heights available by request

- 23 H = 2.3mm
- 31 H = 3.1mm
- 35 H = 3.5mm
- 38 H = 3.8mm
- 45 H = 4.5mm
- 52 H = 5.2mm
- 77 H = 7.7mm (Only for SMT J-Bending Terminals)

3 STEM COLOR & OPERATING FORCE:

- K Brown & 160±50gf (Only for H=3.1mm)
- Brown & 180±50gf (Only for H=3.5 / 3.8 / 4.5 / 5.2mm)
- U Silver & 160±50gf (Only for H=2.3mm)
- C Red & 260±70gf (Only for H=3.5 / 3.8 / 4.5 / 5.2mm)
- J Transparent & 360±90gf (Only for H=3.5 / 3.8 / 5.2 / 7.7mm)

4 PACKAGE:

- BK Bulk (Only for SMT J-Bending Terminals)
- TB Tube
- TR Tape & Reel

General Tolerance: ± 0.2 mm

General Specifications:

FEATURES

- » Sharp click feel with a positive tactile feedback
- » Seal characteristics:
 - The washable type switches allow submersed washing after soldering.
 - Proceed the cleaning process after the S/W temperature decreases to normal.
 - Degree of protection: IP46

MATERIALS

- » Terminal: Brass with silver plated
- » Contact: Stainless steel

MECHANICAL

- » Operation Temperature: -25°C to +70°C
- » Storage Temperature: -30°C to +80°C

ELECTRICAL

- » Electrical Life: 500,000 cycles for TP3_38, 35K(C), 45K(C) & 52B(C)
- 100,000 cycles for TP3_31K, 23U & TP4531KG
- » Rating: 50mA, 12VDC
- » Contact Arrangement: 1 pole 1 throw

LEADFREE SOLDERING PROCESSES

- » 260°C max. 5 seconds for THT terminals
- » 260°C max. 10 seconds for SMT terminals